



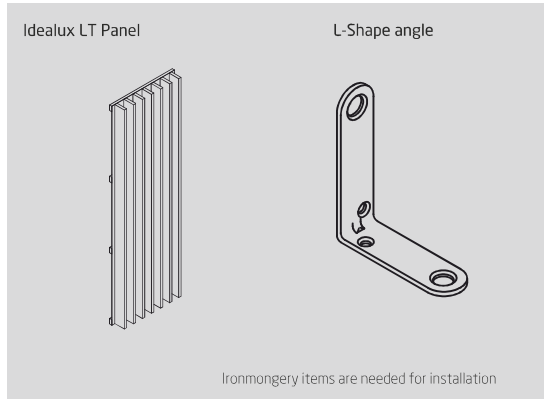
ideawood

idealux LT
idealux LR
grid
slats

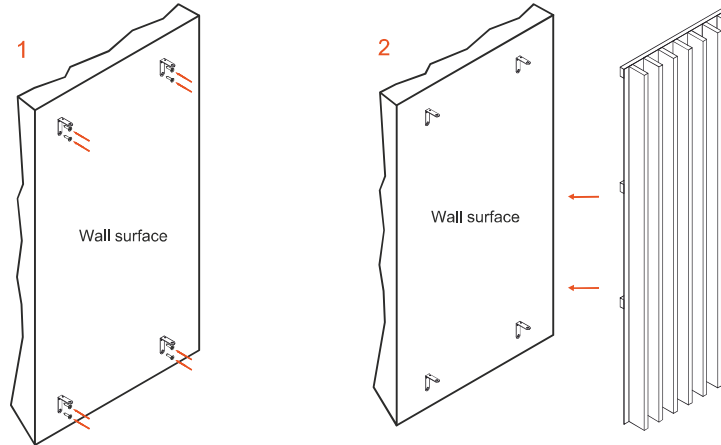
INSTALLATION GUIDE

Wall

Necessary items

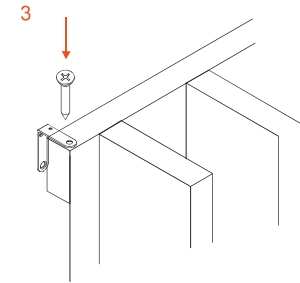


Installation

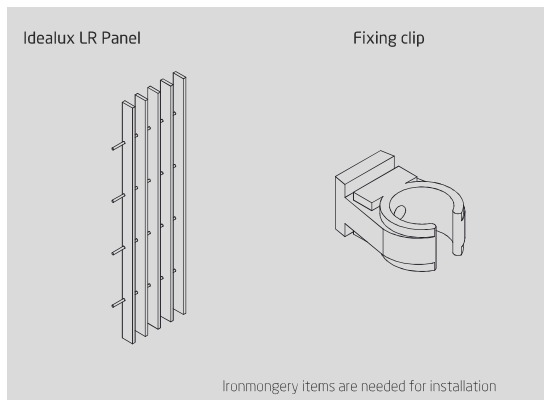


Installations steps

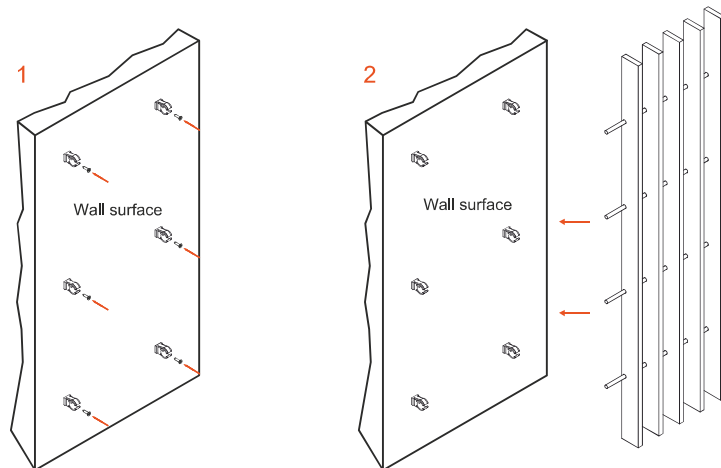
- Steps to assembly **IDEALUX-LT**:
- 1: Attached metal L-Shape on the wall surface with screws (4 per panel)
 - 2: Lay down the panel on L-Shapes.
 - 3: Screw black backers to metal L-Shapes.



Necessary items

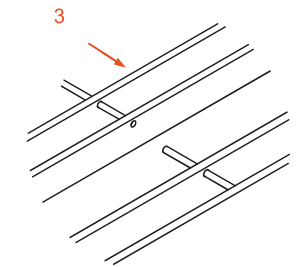


Installation



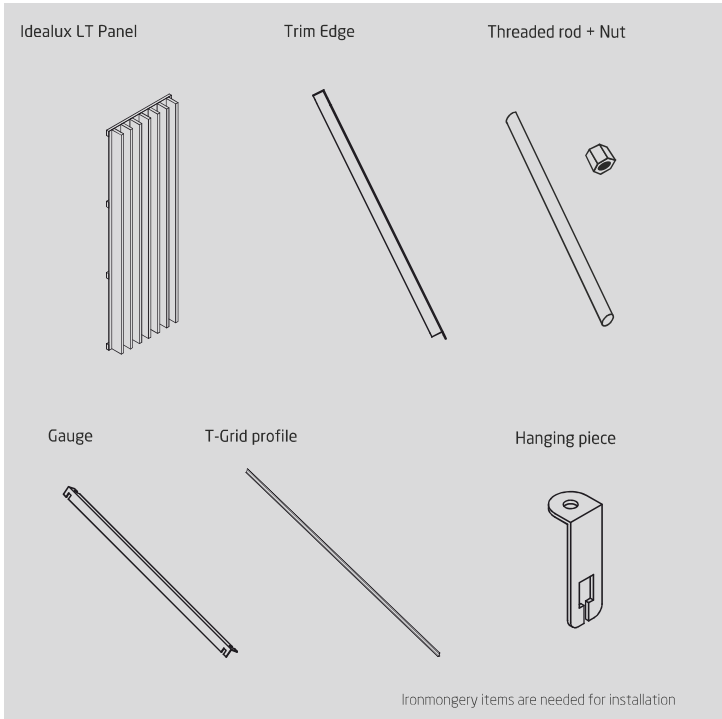
Installations steps

- Steps to assembly **IDEALUX-LR**:
- 1: Attached metal clip on the wall surface with screws (5 per panel)
 - 2: Press the black dowel on the clip.
 - 3: Repeat the same step for each panel, assembling them until ending the installation.

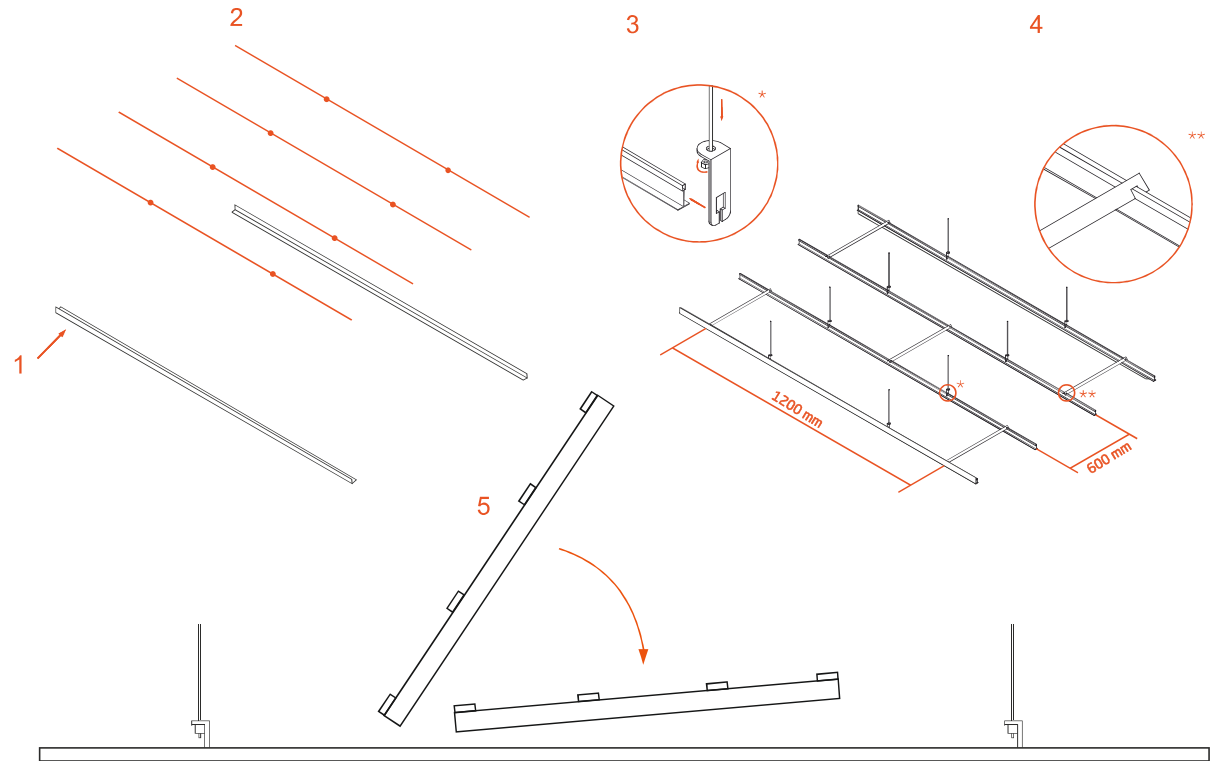


Ceiling

Necessary items



Installation



For other installation systems, aks for them

Installations steps

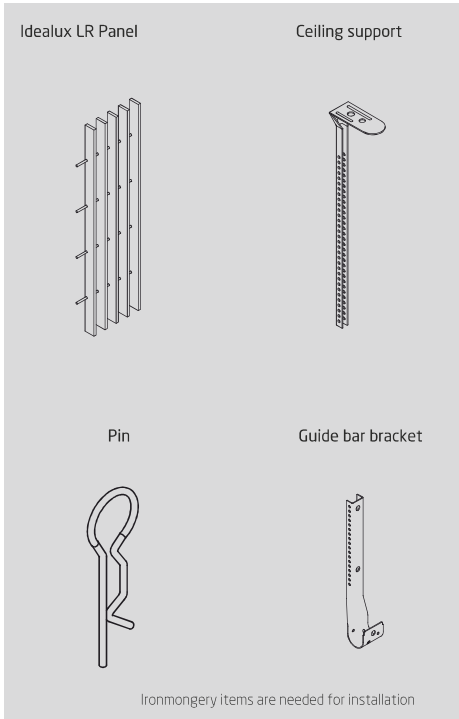
Steps to assembly IDEALUX LT:

- 1: Attache and level trims on the walls.
- 2: Lay out T-Grid system (threaded rods, T primary profile and hanging pieces).
- 3: Screw threaded rod to expansion plug, then hanging piece to threaded rod using a nut and finally, insert T primary profile into the hanging piece.
- 4: Place gauges in the T primaries profiles.
- 5: Rest Idealux LT panels on the T primary profiles.

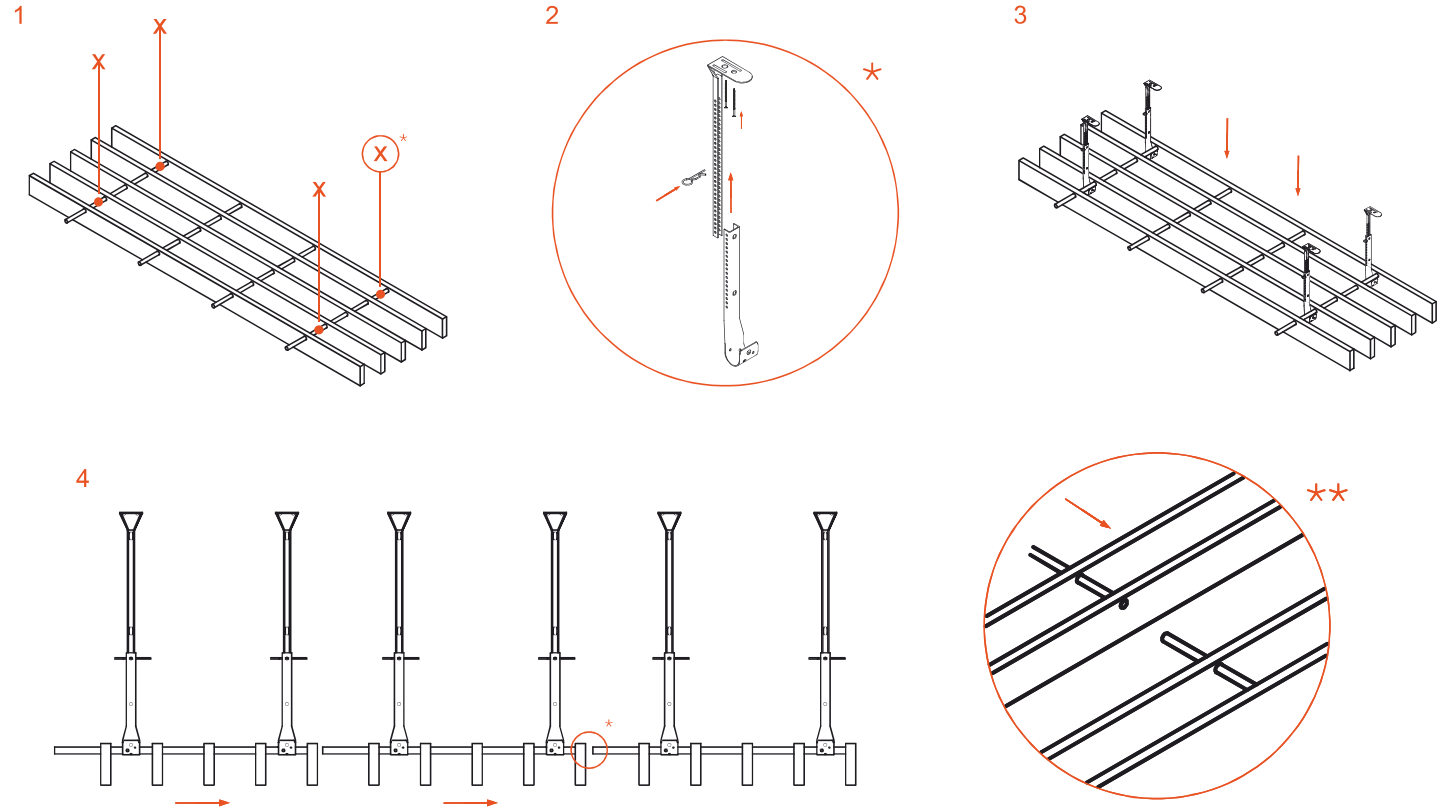
Advices: Staggered alignment is recommended. Gap between head's panels should be 5-10 mm. (min). Shadowgaps should be 20 mm (min).

Ceiling

Necessary itmes



Installation



Installations steps

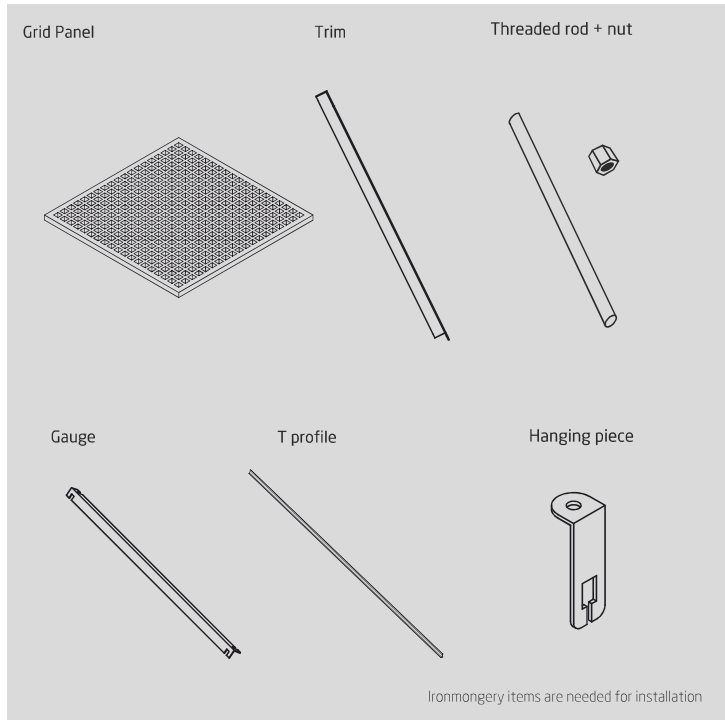
Steps to assembly **IDEALUX LR**:

- 1: Lay out fixing points on the wrought depending on the Idealux LR's size.
- 2: Install the supports to the framing by screwing the 2 holes of the upper tab of the piece. Then, place the bar guide bracket on the ceiling support to the desired height and fix both parts with the pin, placing it through the common hole to the clamping piece.
- 3: Rest the black dowel on the bracket.
- 4: Follow the same steps above until finish installation. Once Idealux panel is supported on the four hangers, move to its left by docking the panel bars in the corresponding holes of the adjacent Idealux panel.

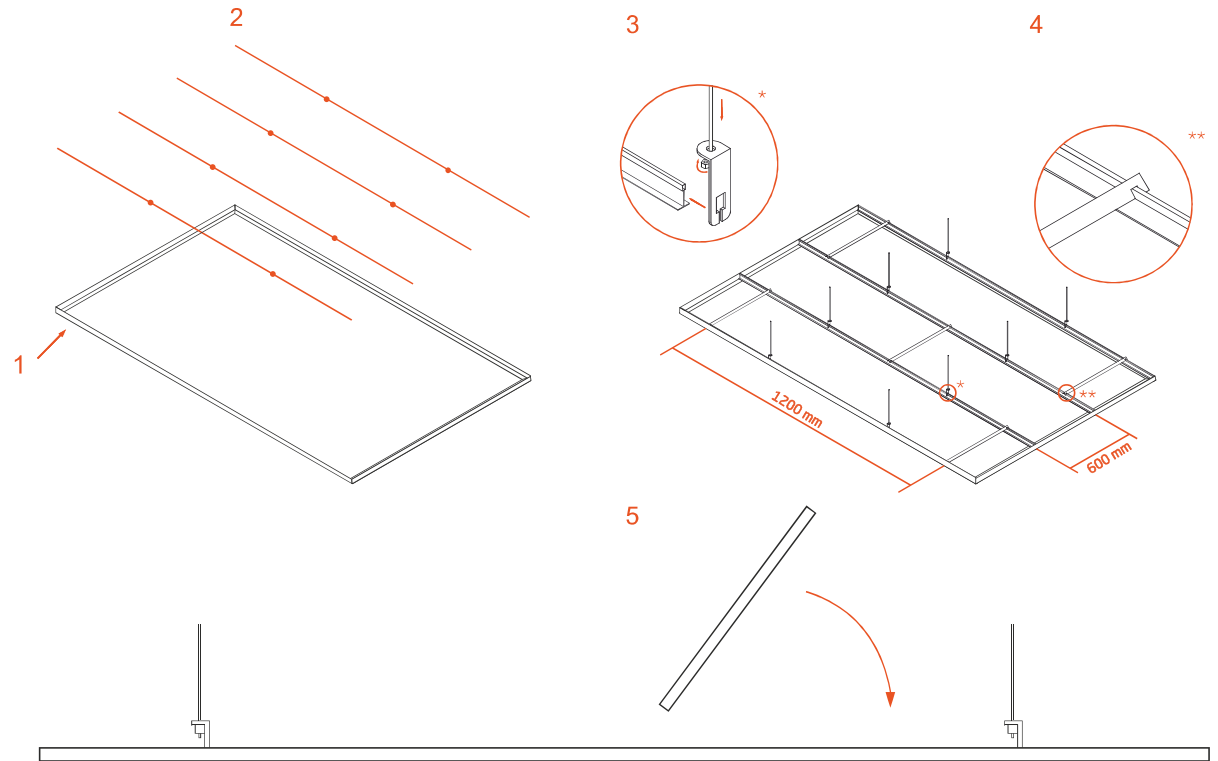
Advices: Staggered alignment is recommended. Gap between head's panels should be 5-10 mm. (min). Shadowgaps should be 20 mm.

Ceiling

Necessary itmes



Installation



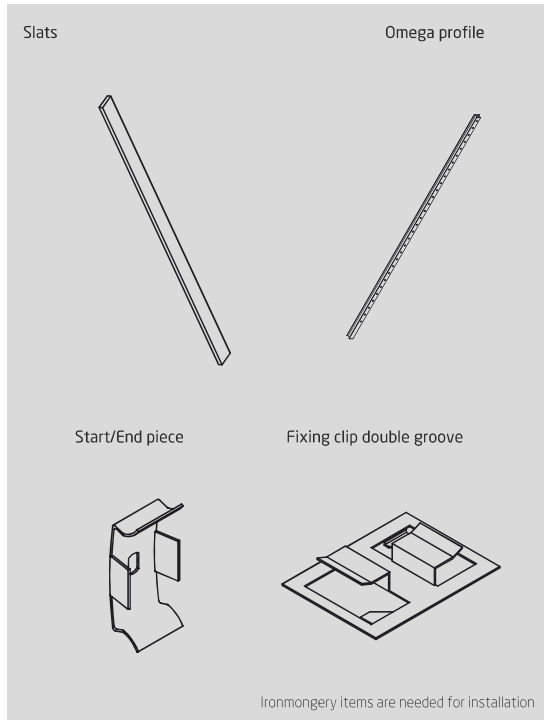
Ask for other installation's systems

Installations steps

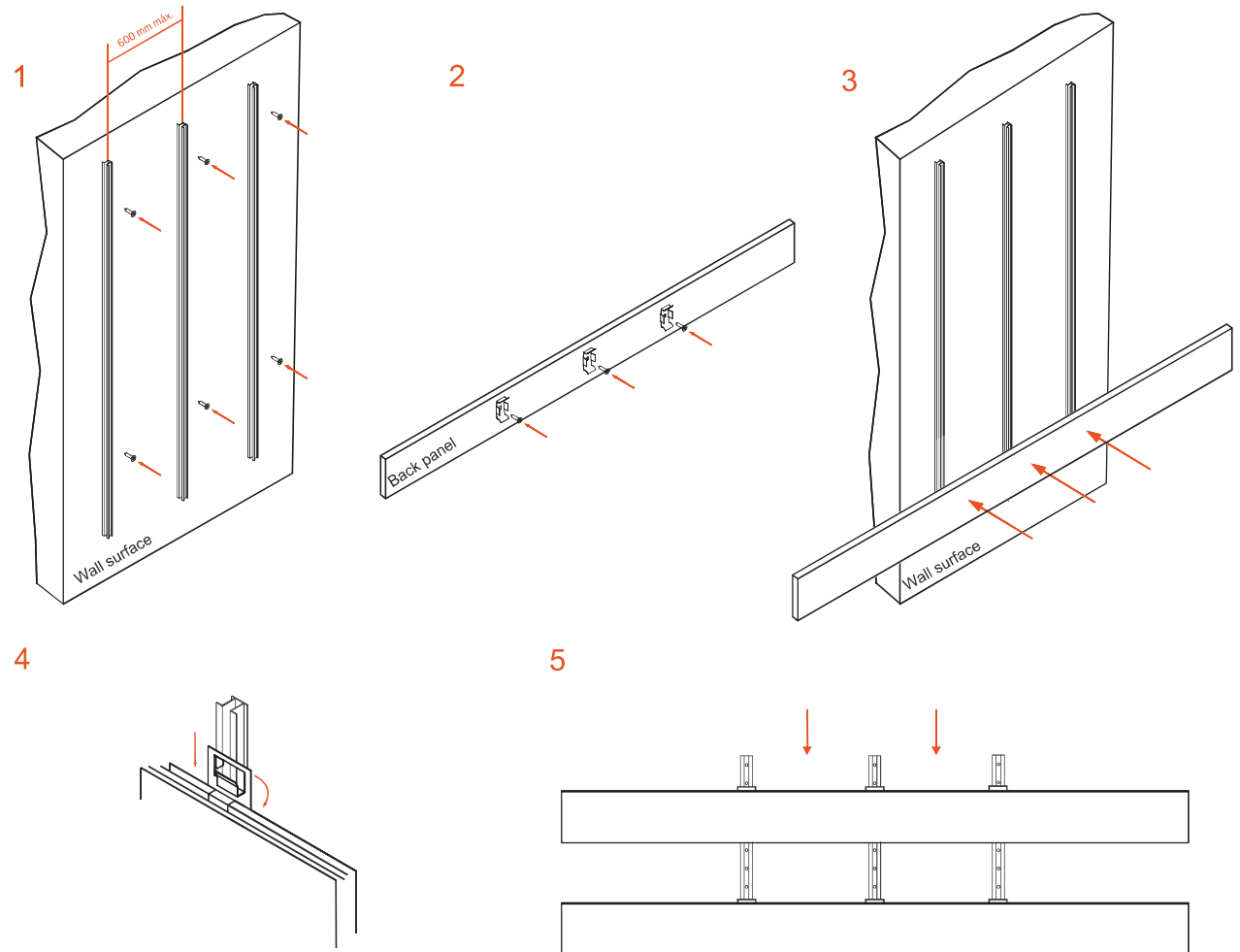
- 1: Attach and level all trims around the perimeter of the room.
- 2: Lay out T-Grid system (threaded rods, T primary profile and hanging pieces).
- 3: Screw threaded rod to expansion plug, then hanging piece to threaded rod using a nut and finally, insert T primary profile into the hanging piece.
- 4: Place gauges in the T primaries profiles.
- 5: Rest Grid panels on the T primary profiles.

Wall paneling

Necessary items



Installation

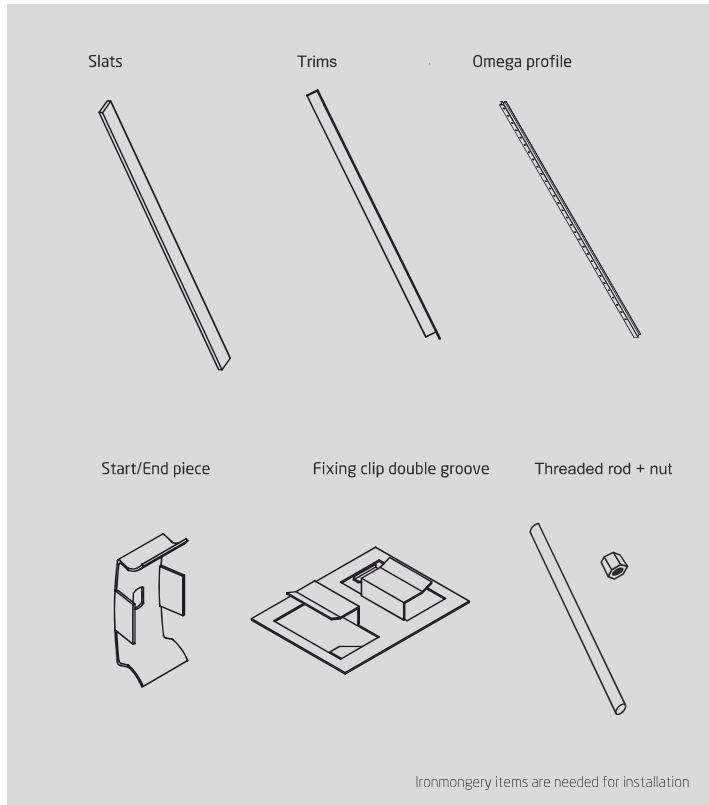


Installation steps

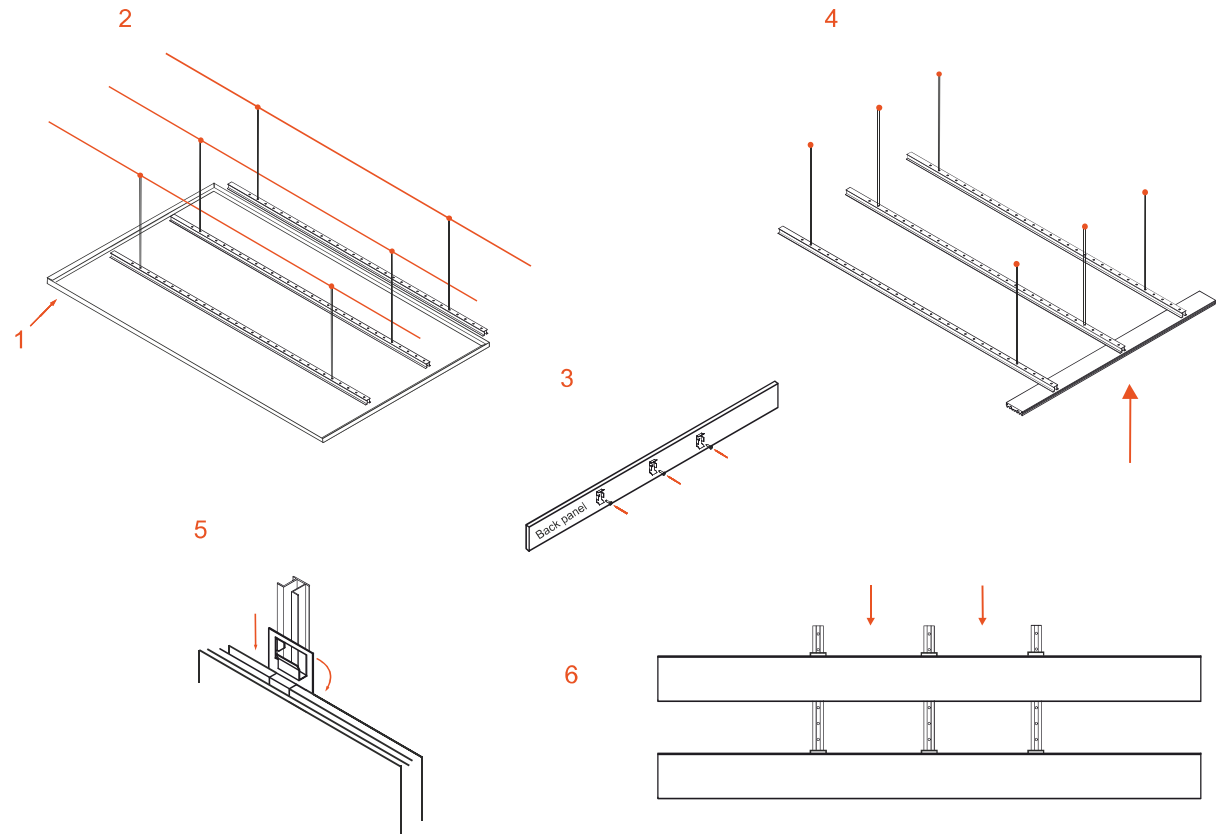
- 1: Attach omega profile on the wall using screws.
- 2: Screw Start/End piece on the back of the slat, **only in the first and last slat**.
- 3: Push slat towards omega profile, so Start/End clips are inserted on the profile.
- 4: Twist fixing clips in the profiles following each slat. Move clip and insert in the slat's groove.
- 5: Dock the next slat and repeat the steps until finishing the installation.

Ceilings

Necessary items



Installation



Ask for other installation's systems

Installation steps

- 1: Attach and level all trims around the perimeter of the room.
- 2: Lay out T-Grid system (threaded rods, omega profiles.).
- 3: Screw Start/End piece on the back of the slat, only in the first and last slat.
- 4: Push slat towards omega profile, so Start/End clips are inserted on the profile.
- 5: Twist fixing clips in the profiles following each slat. Move clip and insert in the slat's groove.
- 6: Dock the next slat and repeat the steps until finishing the installation.

